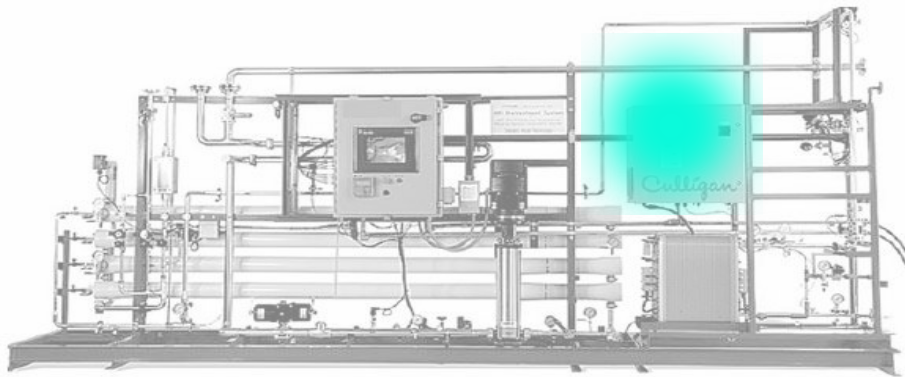


ClearObject enables innovation by bridging the gap between a customer and their preferred platform with custom solutions and continued management.

Our Connected Solutions will integrate with the platform of your choosing, allowing you to incorporate existing technology into a new solution that is designed to monetize the data your current process, product, or organization is already producing. We develop our solutions on Google Cloud Platform.



Opportunity

Our customer needed to be able to provide data tracking their purification process and fulfillment of requirements to their own customers.

Hypothesis

By evolving aftermarket product service model from reactive to predictive, customer retention would improve & operating costs of business unit would reduce

Solution

Resulting solution leveraged streaming data from water purification systems to create a system of engagement for customers, support engineers & product development teams.

ClearObject has the ability to monitor, build and iterate upon cohesive IoT solutions, ensuring an uninterrupted customer experience:

- App development and management
- Asset management integrations
- Custom alerts and reporting
- Custom dashboards
- Machine Learning model development/training
- Predictive analytics
- Data ingestion
- Data lake development

ClearObject

8626 E 116th Street Suite 300
Fishers, IN 46038

+1 (888)-850-2568

clearobject.com